

6CN160

6.5" Neodymium Coaxial Transducer

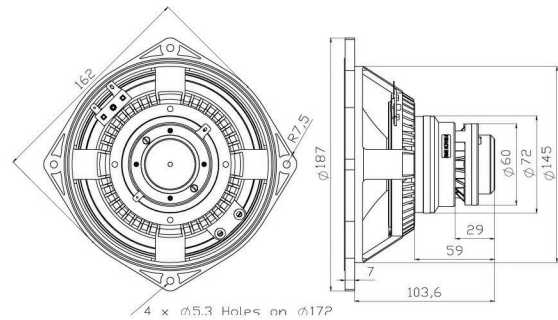


Features:

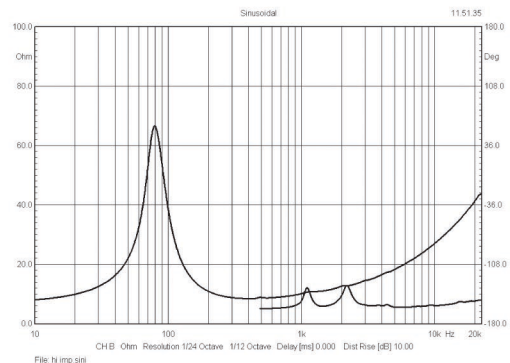
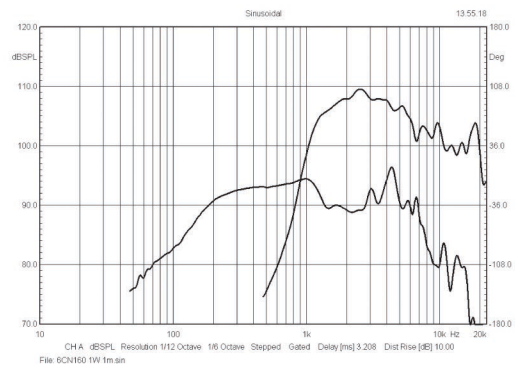
- 93 dB sensitivity 1 W / 1 m
- 130 W + 25 W Power handling
- 1.5" + 1" Voice coil
- Single point source providing coherent wave front
- 90° conical dispersion
- Optimal for compact 2-way systems

SPECIFICATIONS

APPLICATION	2-way Transducer		
Nominal Impedance	Ohm		8
Power handling AES noise	W		130
Sensitivity (1 W / 1 m)	dB		93
Frequency response	Hz		80 - 20000
Voice Coil Diameter	mm		38
Voice Coil Material:			Cu
Voice Coil Winding Depth:	mm		15
Magnet Gap Depth	mm		5
Basket			Cast Aluminum
Effect. Diaphragm Diameter	mm		129
THIELE-SMALL-PARAMETERS			
Resonance Frequency	Fs	Hz	79
DC Resistance	Re	Ohm	6.85
Mechanical Q Factor	Qms		3.3
Electrical Q Factor	Qes		0.38
Total Quality Factor	Qts		0.34
Equivalent Volume	Vas	L	8,9
Moving Mass	Mms	kg	0.011
Mechanical Compliance	Cms	mm / N	0.37
BL Factor	BL	Tesla m	10
Effective Piston Area	Sd	m ²	0.0132
Max. linear Excursion:	Xmax	mm	+/- 5
Voice Coil Inductance	Le1k	mH	0.51
	Le10k	mH	0.33
SPECIFICATIONS HIGH FREQUENCY			
Power Handling AES	W		25
Peak Power	W		200
Sensitivity (1 W / 1 m)	dB		110
Frequency Range	Hz		1200 - 20000
Recommended Crossover	Hz		1500
Voice Coil Diameter	mm		25,4 (1")
Magnet Material			Neodymium
Flux Density	T		1.6
Voice Coil Material			Copper Clad Aluminium
Voice Coil Former			Kapton
Diaphragm Material			Polyester



Frequency response measured 1W (2.83V) at 1 m in a closed enclosure of 11 liter.



MOUNTING INFORMATION		
Overall Diameter	mm	162 x 162
Mounting Holes Diameter	mm	4 x 5.3
Bolt Circle Diameter	mm	172
Baffle cut-out Diameter	mm	146
Overall depth	mm	111
Net Weight	kg	1.18

Recommended reflex enclosure:

6 L / 90 Hz, BRD=50 mm / 79 mm long

9 L / 80 Hz, BRD=60 mm / 96 mm long